



RADDOG™ 2LE

Elevate Your Tactical Advantage with RADDOG 2LE,
Transforming the Way You Serve and Protect.

a wholly-owned subsidiary of
AITX
Artificial Intelligence Technology Solutions Inc.

RADDOG™ 2LE

Introducing RADDOG 2LE, the revolutionary solution from Robotic Assistance Devices (RAD), designed exclusively for law enforcement professionals. This groundbreaking robot is set to transform law enforcement agencies worldwide, providing **an unprecedented advantage in the field**. With its agile quadruped (four-legged) design and cutting-edge external accessories, RADDOG 2LE empowers officers to reach inaccessible areas, conquer challenging terrain, and navigate through perilous environments. By prioritizing officer safety and community protection, RADDOG 2LE is poised to redefine law enforcement operations.

Experience the remarkable capabilities of RADDOG 2LE as it conducts inspections, surveillance, and reconnaissance with **unmatched efficiency and cost-effectiveness**. **This robotic marvel is a force multiplier**, enhancing the capabilities of law enforcement personnel. By seamlessly augmenting their resources, RADDOG 2LE amplifies their effectiveness in crime prevention, upholding public safety, and ensuring swift emergency response.

Don't miss the opportunity to equip your law enforcement agency with the game-changing RADDOG 2LE. **Elevate your capabilities, maximize officer effectiveness, and reinforce your commitment to safeguarding communities.**



Your Trusted Companion in Law Enforcement.

RADDOG 2LE's Unparalleled Ease of Use



Experience seamless control with RADDOG 2LE's user-friendly joystick, allowing you to remotely operate the robot with precision from a distance of up to 200 yards. Additionally, the robot offers the convenience of 'drive by wire' technology, enabling teleoperation from a laptop or desktop computer*.

Unlock a new level of versatility and efficiency with RADDOG 2LE, your ultimate solution for remote robotic exploration.

* Requires a robust cellular signal for reliable connectivity



RADDOG 2LE Is Ready to Become the Next Member of Your Law Enforcement Organization

Discover the exceptional capabilities of RADDOG 2LE, designed to effortlessly navigate challenging terrain and obstacles. With its advanced camera arrangement, the robot provides unparalleled visibility, ensuring smooth maneuverability around objects and rough terrain.





RADD OG 2LE, equipped with impressive capabilities that will exceed your expectations. With a maximum walking speed of up to 5 mph (2.23m/s), this agile robot can swiftly navigate any environment with ease. Its versatile maneuverability allows for quick runs, seamless backward steps, smooth lateral shifts, precise turning in place, subtle forward creeping, effortless rolling over, impressive jumps, obstacle crossing, and obstacle avoidance. Be prepared for the ultimate exploration experience.

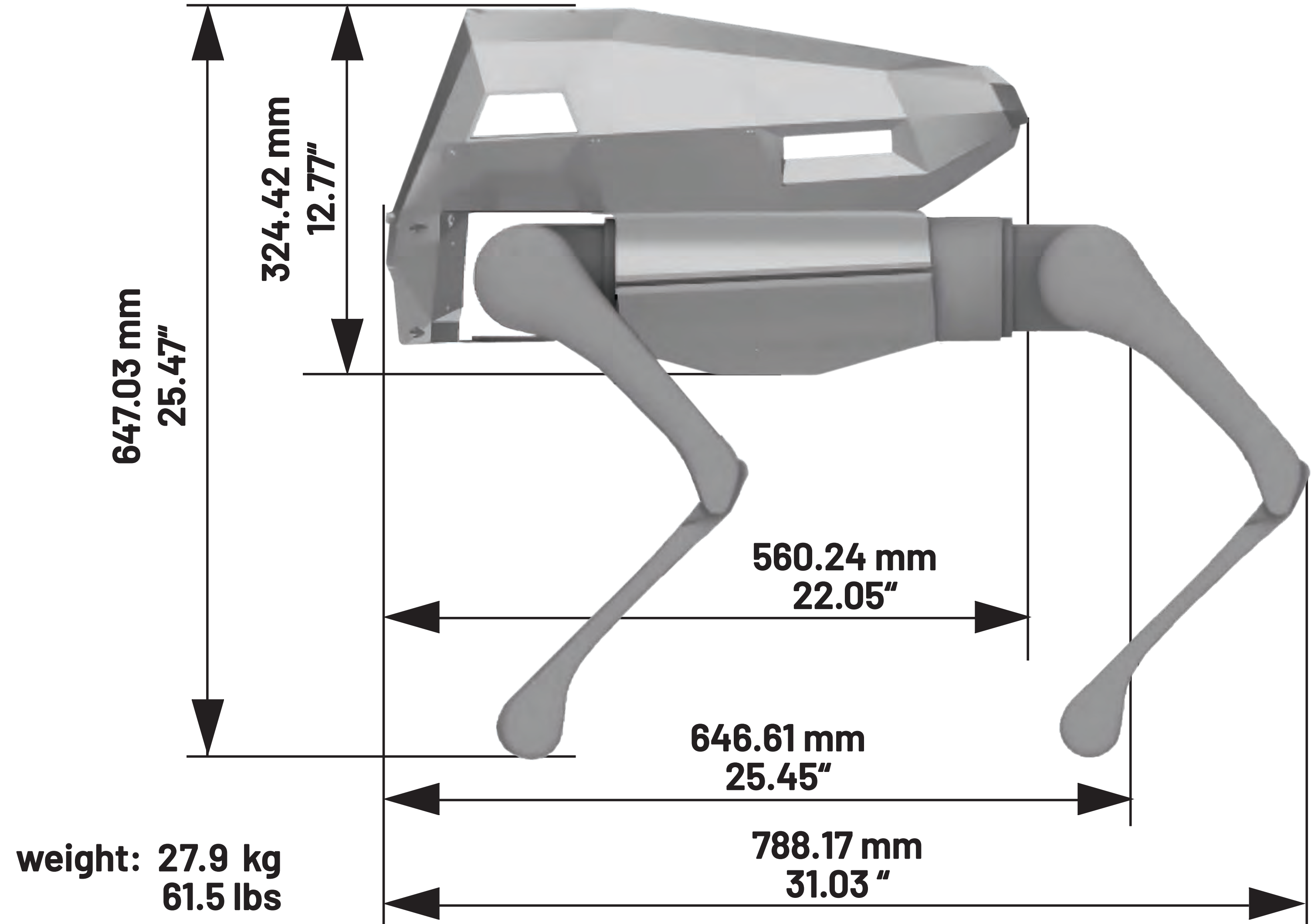
During its missions, RADD OG 2LE diligently captures video data with its remarkable 360° field of view. With RAD innovative RADSoC™ video management system, storing and retrieving video footage is effortless. Experience the convenience of storing up to 120 hours of recorded video, ensuring that no crucial data is missed. Seamlessly retrieve and review your video data for analysis, evaluation, and future reference.

RADD OG 2LE is your trusted companion for comprehensive video capture and exploration. Enhance your capabilities and redefine what's possible with RADD OG 2LE.

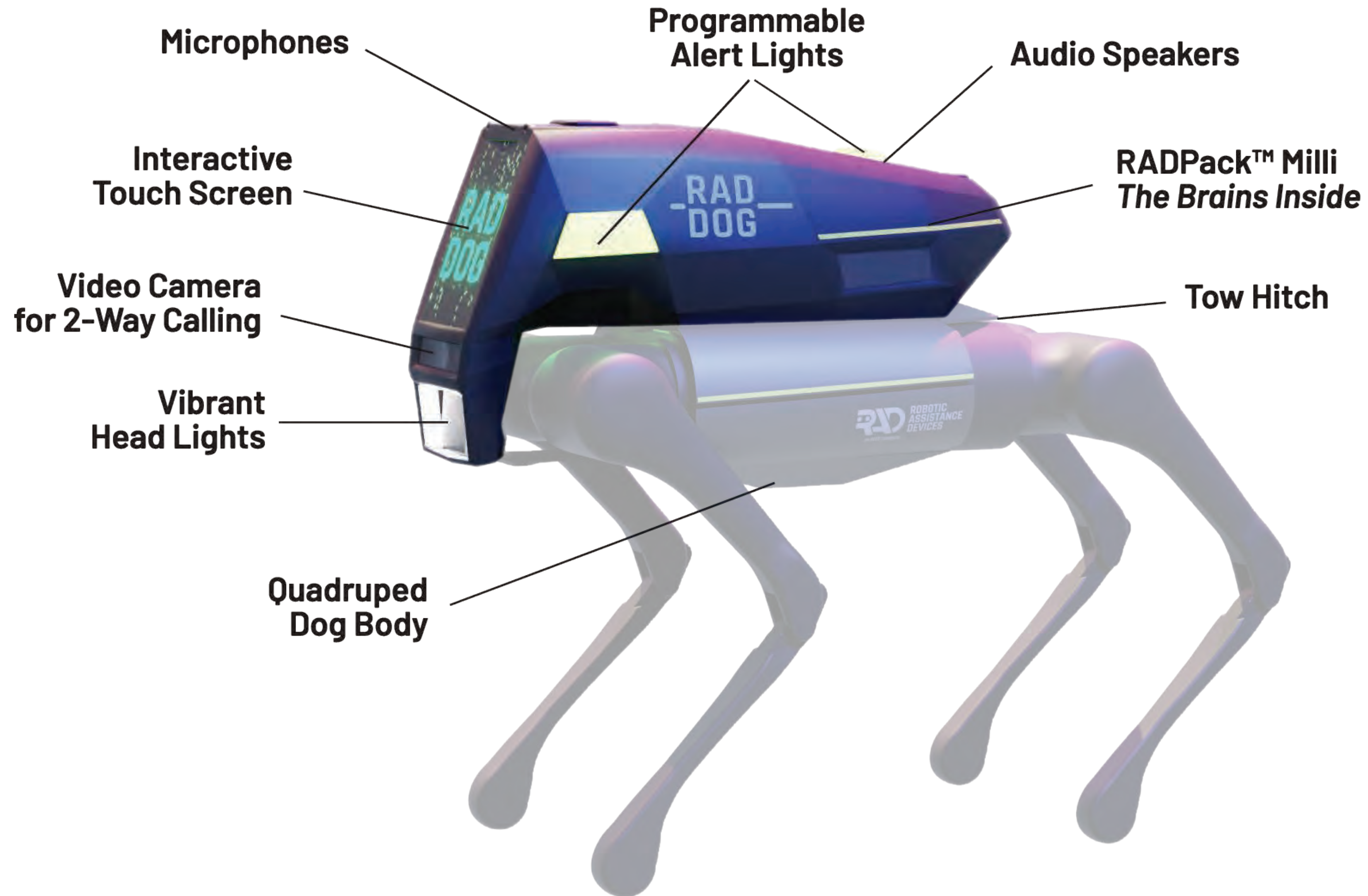
So, unleash the power of RADD OG 2LE, the ultimate high-endurance quadruped robot. When the demands are high and the challenges are tough, you can trust RADD OG 2LE to deliver unmatched performance and reliability. Unlike other quadruped robots on the market, RADD OG 2LE sets the benchmark for endurance and capability, ensuring it outpaces the competition every time.

Don't settle for less when you can have the best - and save money with RADD OG 2LE.

RADDOG 2LE Technical Specifications



It's RAD's RADPACK™ That Makes RADD OG *the* Rad Dog.



RADSoC™ - Data at Your Fingertips on Any Platform

real time
visibility

easy device
customization

mobile
alerts

metrics

incident data
analysis and
management

easily initiate
audio 'talk down'
through RAD device

customize
autonomous
response escalation

note: RAD device subscriptions include an unlimited number of user licenses to all software applications

Incident Management - Now Part of RADSoC



compare to
SureView™
and Immix™

integrate with
existing cameras

full multi-step
instructions with
timed reactions

central platform to
engage suspects

central platform to
activate accessories
(i.e. lockdown procedures)

full suite of
metrics

autonomous
response escalation
management

note: RAD device subscriptions include an unlimited number of user licenses to all software applications

RADMobile™ - Situational Awareness While On the Move!

conduct 2-way video calls through RADD OG 2LE and any mobile device

real time visibility



mobile alerts

conveniently initiate audio 'talk down' through RADD OG 2LE

note: RAD device subscriptions include an unlimited number of user licenses to all software applications



an AITX company

More security, less expense.
With RAD it's inevitable.

877-78-ROBOT

info@radsecurity.com • www.radsecurity.com

Details subject to change without notice. Copyright 2023, Robotic Assistance Devices, Inc.



available from

